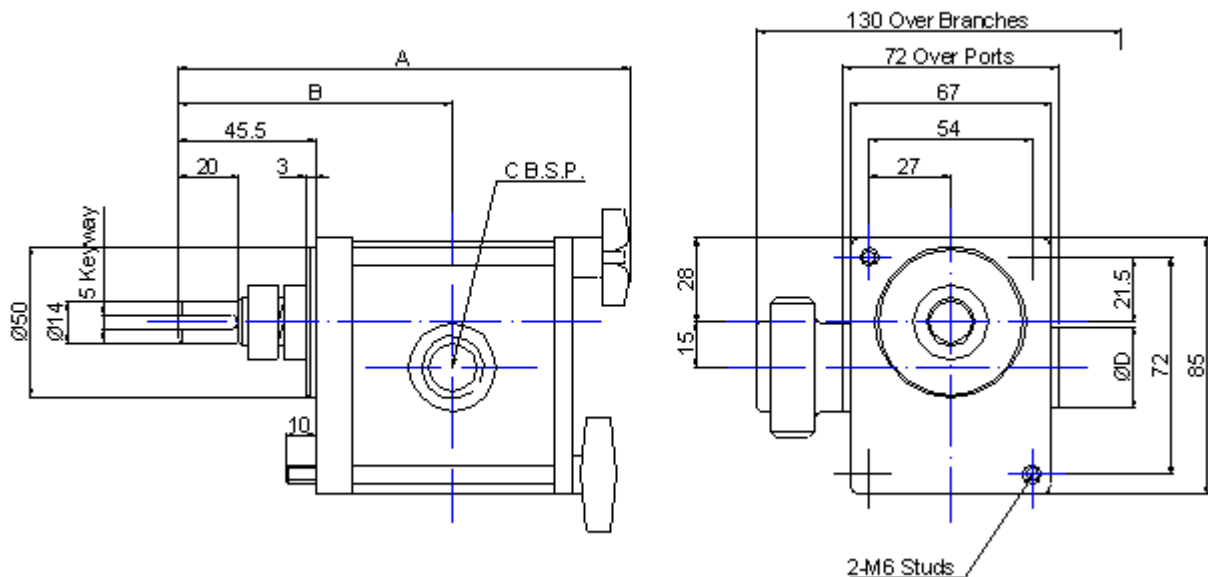


## CAPACITY / POWER

Model	rpm	Kw	Litres / min					Max cSt.
			0	2	4	6	7 bar	
JS110	720	0.18	4.90	3.90	2.90	1.90	1.40	975
	930	0.25	6.50	6.75	4.65	3.73	3.26	750
	1420	0.37	9.80	9.95	8.10	7.25	6.83	550
JS120	720	0.37	8.25	7.10	5.95	4.80	4.23	975
	930	0.37	11.00	9.93	8.85	7.78	7.24	750
	1420	0.55	16.50	15.50	14.50	13.50	13.50	550
JS130	720	0.55	13.30	12.03	10.76	9.49	8.86	975
	930	0.55	17.70	16.47	15.24	14.01	13.40	750
	1420	0.75	26.60	25.44	24.28	23.12	22.54	550
JS140	720	0.75	16.50	15.05	13.60	12.15	11.43	975
	930	1.10	21.90	20.54	19.17	17.81	17.13	750
	1420	1.10	33.00	31.70	30.40	29.10	28.55	550

## DIMENSIONS



	A	B	C	D	Kg
<b>JS110</b>	141	86	½ BSP	26	2.5
<b>JS120</b>	151	91	½ BSP	26	2.8
<b>JS130</b>	166	98.5	¾ BSP	35	3.2